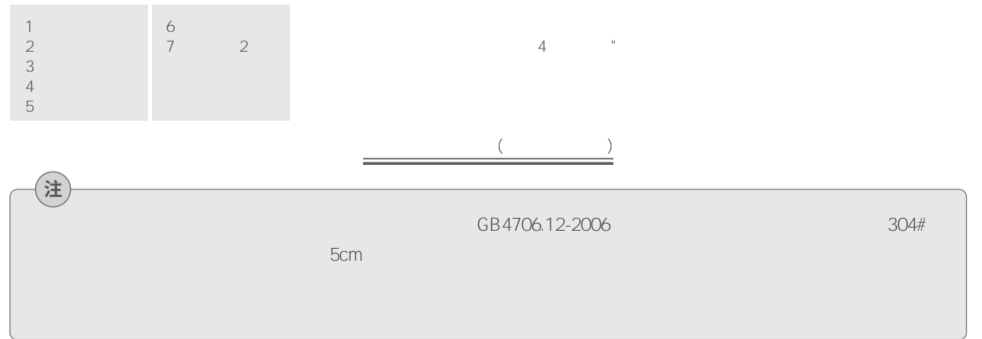


		D	
		NERS-D1.5	NERS-D2
		220V/50Hz	
W		5390	7200
(W)/	(A)	1275/5.8	1714/7.8
(W)/	(A)	1850/8.4	2570/11.7
		55	
/		G3/4"	
MPa		0.7	
L/h		116	155
m ³ /h		1.0	1.2
		795× 305× 545	
mm			
dB(A)		48	55
kg		37	40



- 1
- 2
- 3
- 4
- 5
- 6
- 7



注意事项

-
-
-
-
-
-
-
-
-
-

60 , 2 3 38-42 50

8

8

1
2
3
4
5
6
7
8

10
()

450W

450W

220V/50Hz

注

